

232-X21 INTERFACE CONVERTER

RS-232 to X.21



FEATURES / BENEFITS

- ✓ Interface - RS-232 and X.21, DB-25 Male and X.21 Male / Female Genders
- ✓ Data Rates - Synchronous to 128Kbps
- ✓ Line Powered
- ✓ 6 Foot Cable Included
- ✓ Passes All Appropriate Control Signals
- ✓ Bi-Directional Transmission
- ✓ Transparent to Data
- ✓ Compact and Easy To Install

DESCRIPTION

The 232-X21 Interface Converter is designed to provide signal level conversion between RS-232 DCE (Modem) equipment and X.21 DTE (Terminal) equipment.

The 232-X21 transmits data bi-directionally at data rates up to 128kbps. The device has no switches or straps to configure.

Ideal for Local Area and Wide Area networks the 232-X21 interface converter is line powered and requires No AC power source.

Utilizing new silicon chip technology this device requires less than 7ma for operation. This equates to savings in your power requirements and with battery backup at your data center.

Applications that can benefit from the 232-X21 are LAN-WAN connectivity, video conferencing, Adaptation of older model test equipment and new high speed Modems connecting to X.21 DTE equipment.

The 232-X21 is protocol independent and passes all appropriate Data, Clock and Control Signals.

For maximum flexibility to your system requirement, the 232-X21 is available in Male or Female X.21 genders.

The 232-X21 is housed in a sturdy metal enclosure and will provide in excess of 100,000 hours of reliable service.

The 232-X21 has a three year warranty and a 24 hour turnaround on warranty repairs.

EAST COAST DATACOM, INC.

SPECIFICATIONS

Application

RS-232 to X.21 Interface and Signal Level Conversion

Capacity

One DCE RS-232 and one X.21 Sync DTE device

Interface

RS-232 and X.21 Male or Female connectors

Data Rates

Up to 128Kbps

Data Format

Data transparent at all data rates

Switches

None

RS-232 Physical Interface

Male DB-25 Connector

X.21 Physical Interface

Female or Male DB-15 Connector

Power Source

Line Powered from existing equipment -
Draws 10ma - No AC power required

Environmental

Operating Temperature.....32° to 122° F (0° to 50°C)
Relative Humidity.....5 to 95% Non-Condensing
Altitude.....0 to 10,000 feet

Dimensions

Height 0.50 inches (1.27 cm)
Width 1.75 inches (4.44 cm)
Length 1.75 inches (4.44 cm)

Weight

1/2 pound (0.228Kg)
(Includes Cable and Shipping Box)

Warranty

Three Years, Return To Factory

ORDERING INFORMATION

Model: 232-X21 M/F

Description: RS-232 to X.21 Converter,
Male DB-25 and Female DB-15

Model: 232-X21 M/M

Description: RS-232 to X.21 Converter,
Male DB-25 and Male DB-15

INCLUDED WITH EACH UNIT:

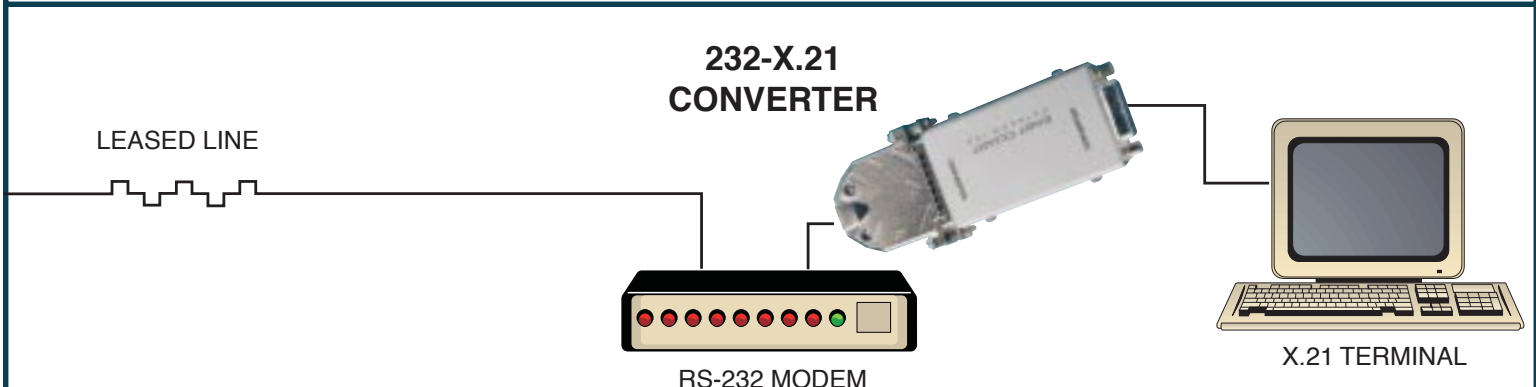
- 1) Installation Guide
- 2) 6 foot cable

For further detailed technical information on this product, contact East Coast Datacom Technical Assistance toll free at (800) 240-7948.

OTHER EAST COAST DATACOM PRODUCTS

MODEM AND PORT SHARING DEVICES
64K SYNC LINE DRIVER
SIGNAL REGENERATORS
DATA BROADCAST UNIT
ASYN TO SYNC CONVERTER

EAST COAST DATACOM DESIGNS AND MANUFACTURES DATA COMMUNICATION EQUIPMENT FOR YOUR NETWORK REQUIREMENTS.



SPECIFICATIONS ARE SUBJECT TO CHANGE WITHOUT NOTICE

DOC #721013

EAST COAST DATACOM, INC.

245 Gus Hipp Boulevard, STE 3
Rockledge, FL 32955-4812 U.S.A.

TEL: (321) 637-9922

WEB SITE: www.ecdata.com

FAX: (321) 637-9980